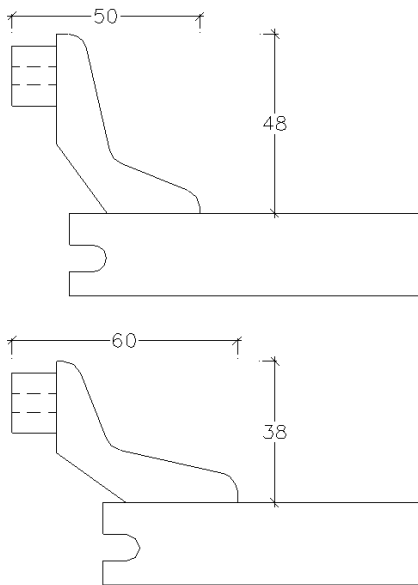


COMBI SPORTS SKIRTING

Sport



GENERAL DESCRIPTION

Description:

Skirting for multiple use. Cover gaps between the floor and wall up to 40 mm. Installation with fittings for ventilating of the batten substructure in sports floors, or without fittings where ventilation is not required, e.g. at Clip floors.

Wood species: Available in Beech, Maple, Ash, Sylvaket and Oak, mat lacquered.

Size: 38 x 48 mm.

Fittings:

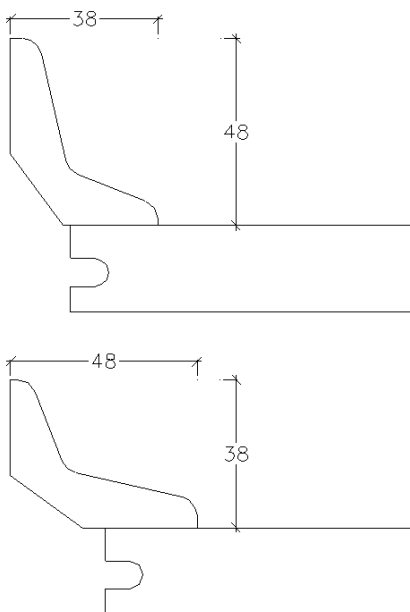
12 x 16 mm tubes in stainless steel. Fittings are installed every 380 mm.

Package size:

Skirting: 5 x 2.4 meter.

Fittings: 35 pcs. equivalent to 1 packet of skirtings.

Fig. 1



INSTALLATION

The skirting can be installed in optional direction, see fig. 1 and 2.

Predrill and countersink holes to match screw option.

Use 7 fittings per skirting. Place fittings 60 mm from each end of each skirting, and for every 380 mm.

Fig. 2